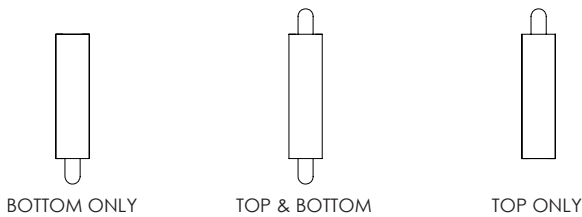


BARLUX

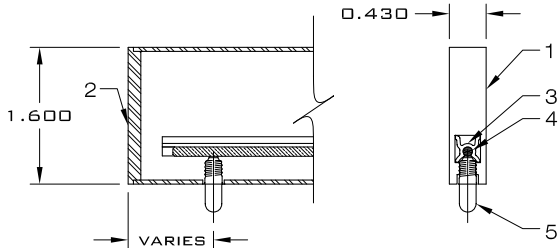
DECORATIVE PENDANT

FOR GYPSUM BOARD, WOOD OR STONE CEILINGS

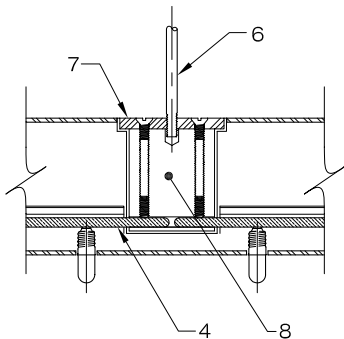
LAMP LOCATION OPTIONS



END CAP DETAIL



FEED HANGER DETAIL



NOTES:

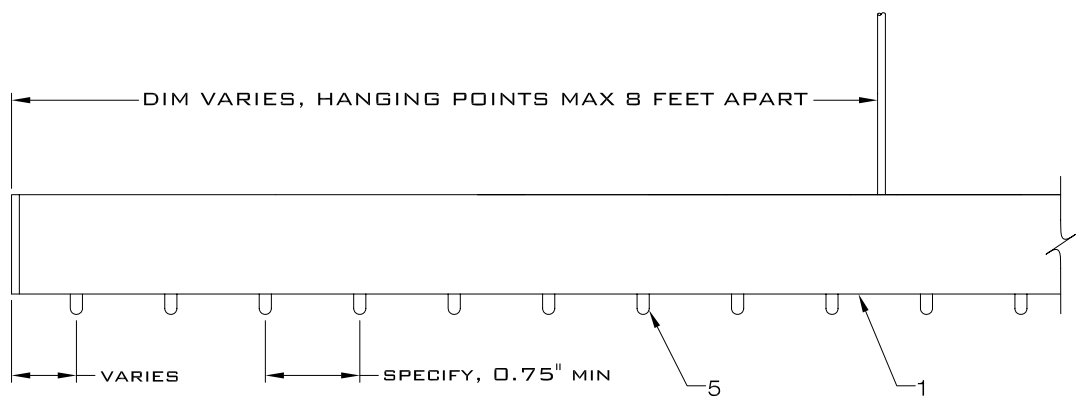
1. Extruded aluminum fixture
2. Aluminum end cap
3. Extruded insulator
4. Copper conductor
5. Miniature screw base lamp (provided)
6. Feed hanger stem, 0.125" dia.
7. Stem mounting cover
8. Brass connecting block

BARLUX and CIRCLUX are two forms of a special decorative pendant fixture developed by the designer Edison Avery Price and produced on a custom basis by Nulux. An extremely slim profile in aluminum - seemingly too small to contain wiring connections - is suspended on thin metal rods, constituting a luminaire of simplicity and elegance with great affinity for architectural spaces.

The BARLUX may be virtually any length with hairline seams at 12 foot intervals, and stems 8 feet apart, maximum.

FEATURES:

- Slim profile: 1.60" high and 0.43" wide
- Manufactured of extruded and machined aluminum
- Miniature incandescent T1-3/4 0.96W screw base lamps supplied with fixture
- 0.125" mounting stem diameter, 96" max mounting stem length
- 2" diameter canopy plate, coplanar with ceiling surface
- Available in custom lengths and finishes
- Remote Q-Tran QT transformer (120/12V) supplied
- Layout drawing required to confirm specifications & mounting details



ORDERING MATRIX: BAR- _ _ - _ _ _

Ceiling		Lamp Location	Fixture Length	Stem Length	Lamp Spacing	Paint Finish		
G	Gypsum board	T	Specify fixture length in inches	Specify stem length in inches, 96" max	Specify spacing in inches, note: 0.75" min for Top Only 0.75" min for Bottom Only 1.75" min for Top & Bottom	W	White	
W	Wood or Stone	B				Bottom only	B	Black
WT	Wood or Stone top access	TB				Top & Bottom	S	Silver
						C	Custom	

Contact NULUX directly to specify custom products
Layout drawing required to confirm ceiling mounting, feed and stem quantities / locations, lamp quantity and seam layout

07/05/12