



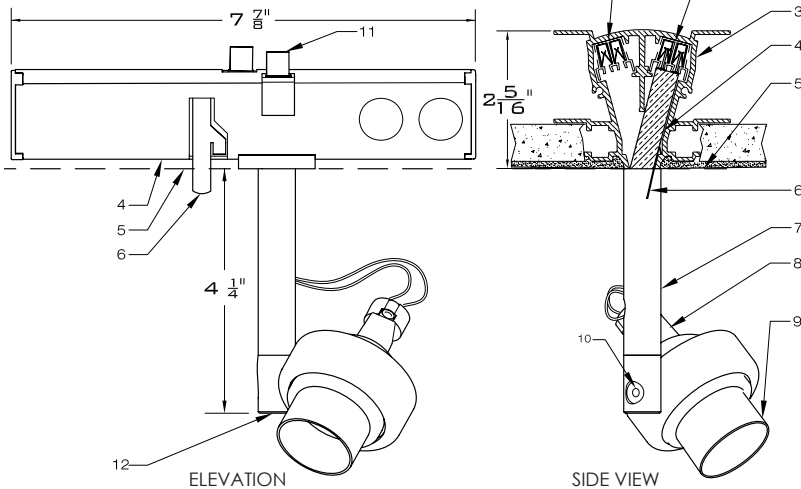
CM FIXTURE

BASIC MRLUX

FOR GYPSUM BOARD CEILINGS

CM Track fixtures are designed to integrate into the narrow track slot. Basic MRLUX profile fixture is offered with choice of either a spun aluminum ring or hard edge machined ring and optional wallwash or object front end stepped snoot to allow for additional accessories. The fixture utilizes an MR16 halogen lamp. The Ushio Reflektor MR16 lamp is recommended to reduce back spill.

All CM MRLUX fixtures incorporate an integral low voltage electronic transformer design which is completely concealed inside the centimeter wide track opening above the ceiling plane. To power fixture, insert into track with stem perpendicular to track opening. To change circuit, reverse the direction of the track adaptor.



NOTES:

1. Circuit 1
2. Circuit 2
3. CM Track, with two 20 Amp, 120V independent circuits
4. Track adaptor with integral 12V electronic transformer
5. Ceiling line
6. Spring release
7. 5/8" diameter machined stem
8. 12V MR16 lamp, 50W Max (by others)
9. Object front end - accepts multiple accessories
10. Lockable tilt adjustment - 90° in both directions
11. Copper contact
12. Lockable 360° rotation

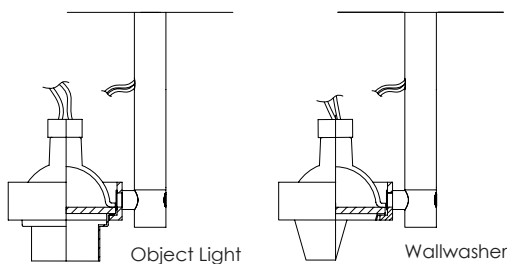
FEATURES:

- Integral 12V electronic transformer recesses completely into CM TRACK, above ceiling plane
- Wallwash or Object front end
- 360° lockable rotation and 90° lockable tilt adjustment in both directions
- Various lensing options
- Object front end allows for additional accessories

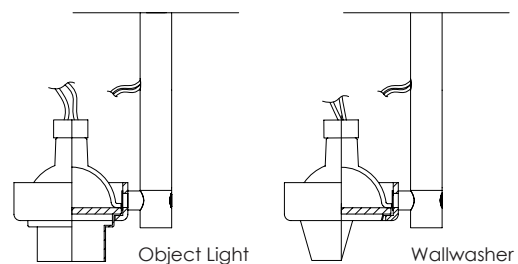
CM BASIC MRLUX FIXTURES are NRTL (Nationally Recognized Testing Laboratory) certified for purposes of OSHA safety standards product-approval requirements.

PROFILE and APPLICATION OPTIONS:

MACHINED RING



SPUN RING



ORDERING MATRIX: CM-MRLUX- _____ - _____

PATENT PENDING

Application		Profile	Voltage	Fixture Finish		Lens		Lens Coating		Additional Accessories	
BO	Object front end	M Machined	120 120/12V	WH White	CL Clear	NC No Coating	N None				
BW	Wallwash front end*	S Spun		BL Black	SO Solite	DC Nulux Diffusion Coating	HC 1.57 dia. Hex Cell Louver				
				SL Silver	LS Light Etch Solite	UV UV Coating	CUV 1.57 dia. Clear UV Lens				
				CE Custom	SD Stippled		O 1.57 dia. Other				
					LS5 Linear Spread 55°						
					LS7 Linear Spread 75°						
					WW Wallwash 55/75°*						

Contact NULUX directly to specify custom products

*Wallwash lens with light diffusion coating standard with Wallwash front end

06/29/12