



CMH TRACK FIXTURE

ENCLOSED MRLUX

COMPATIBLE WITH LTGB and LTJT NULUX TRACK

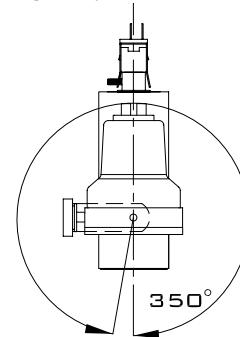
CMH track fixtures are designed to work with 1 or 2 circuit 120V LTGB and LTJT NULUX track. This CMH enclosed fixture profile has a machined lamp ring and enclosed backcap design which eliminates back spill. Object front snoot is removable via a twist and lock mechanism which allows for easy relamping from below. Snoot is furnished with an anodized specular parabolic reflector cone to maximize light output. The fixture utilizes an energy efficient CMH MR16 lamp and ballast in either 20W or 39W. CMH fixtures are fully adjustable with a 350° rotation and 2 direction tilt. CMH track fixtures can be used as accent lights or to highlight objects.

FEATURES:

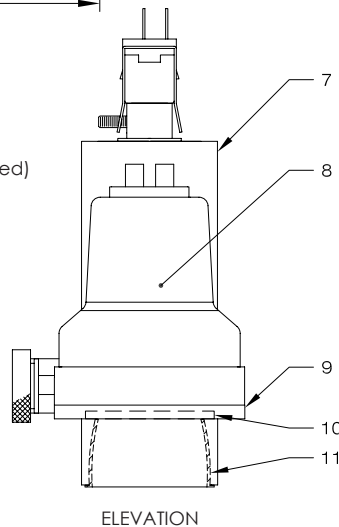
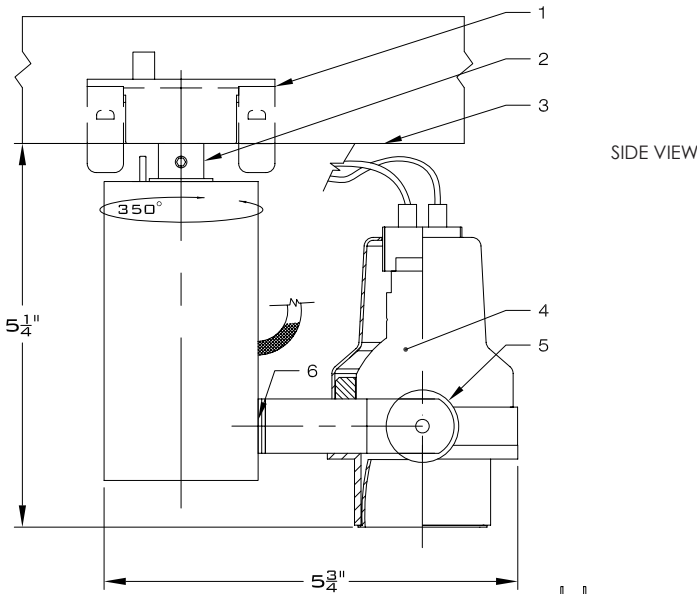
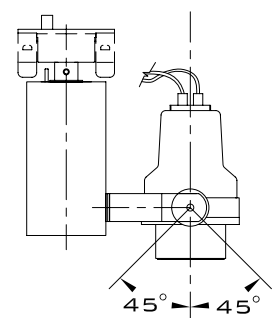
- Integral electronic ballast
- No back-spill
- Fixture is available in either 20W or 39W CMH integral electronic ballast (GE)
- Easy relamping from below with a twist and lock snoot
- 350° tensioned pivot rotation
- Tilt adjustment on yoke- 45° in each direction
- Tilt adjustment on ballast housing- 360° tensioned pivot
- Various lensing and accessory options
- Object front end allows for up to 3 lenses or accessories

CMH TRACK FIXTURES are NRTL (Nationally Recognized Testing Laboratory) certified for purposes of OSHA safety standards product-approval requirements.

TENSION PIVOT TILT:



ANGLE LOCKING TILT:



NOTES:

1. NULUX track adaptor
2. 350° rotation stem
3. Bottom of track
4. CMH MR16 lamp (by others, GE recommended)
5. Angle locking knob
6. Tensioned pivot tilt
7. Ballast housing
8. Aluminum fixture housing
9. Twist and lock snoot, removable
10. Lens location
11. Anodized reflector cone

ORDERING MATRIX: CMH-MRLUX- - - - -

Application	Circuit	Lamp	Voltage	Exterior Finish	Cone Finish	Lens	Lens Coating	Additional Accessories
EO Object Front	1 1 Circuit	20 20W CMH MR16	120 120V	WH White	C Clear	CL Clear	NC No Coating	N None
	2 2 Circuit	39 39W CMH MR16		BL Black	P Pewter	SO Solite	DC Nulux Diffusion Coating	HC Hex Cell Louver
				SL Silver	G Gold	LS Light Etch Solite	UV UV Coating	CUV Clear UV Lens
				CE Custom	B Black	SD Stippled		LR5 50% Light Reduction Screen
					W White	LS5 Linear Spread 55°		O Other
					CC Custom	LS7 Linear Spread 75°		
						WW Wallwash 55/75°		

Contact NULUX directly to specify custom products

06/29/12