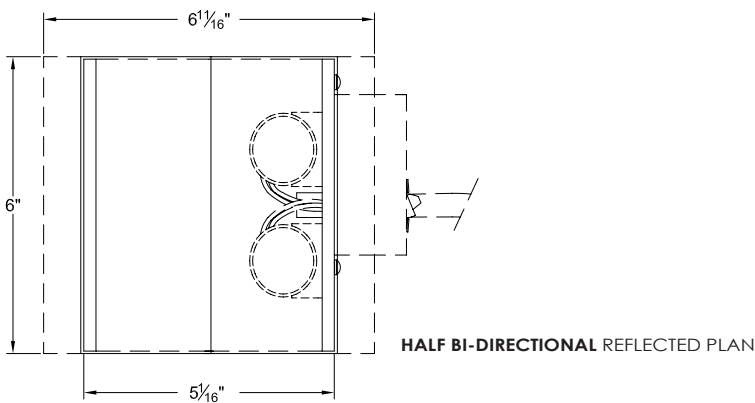
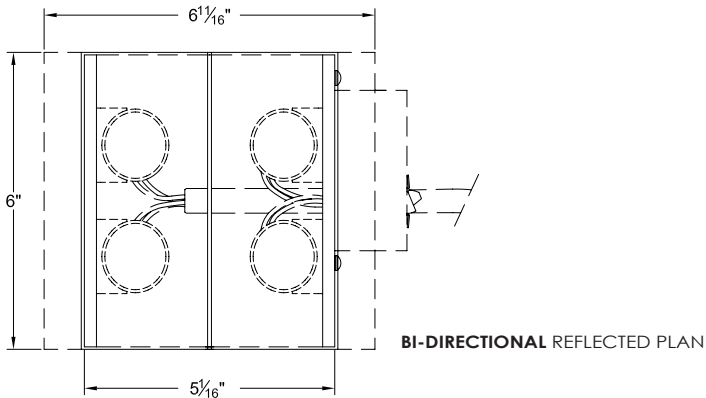


DUALUX

DUAL WALLWASHER

FOR GYPSUM BOARD CEILINGS

DUALUX Bi-Directional (4 lamp) & Half Bi-Directional (2 lamp) are cross aiming wallwashers that utilize 20W 12V incandescent ALR12 lamps, each having a 5-1/16" x 6" rectangular aperture. DUALUX wallwashers express their function in a simple, readable form and a reduced scale. The slanted baffle can be finished to match the ceiling and the light opening is closed with Solite glass. DUALUX Bi-Directional & Half Bi-Directional are an ideal solution for use in corridors and work well in intimate modern environments due to their scale and the soft modulation of their light field. DUALUX wallwashers are highly efficient, providing wallwashing levels at 80W (Bi-Directional) and 40W (Half Bi-Directional) per unit respectively. DUALUX is designed for flangeless installation into gypsum board ceilings.



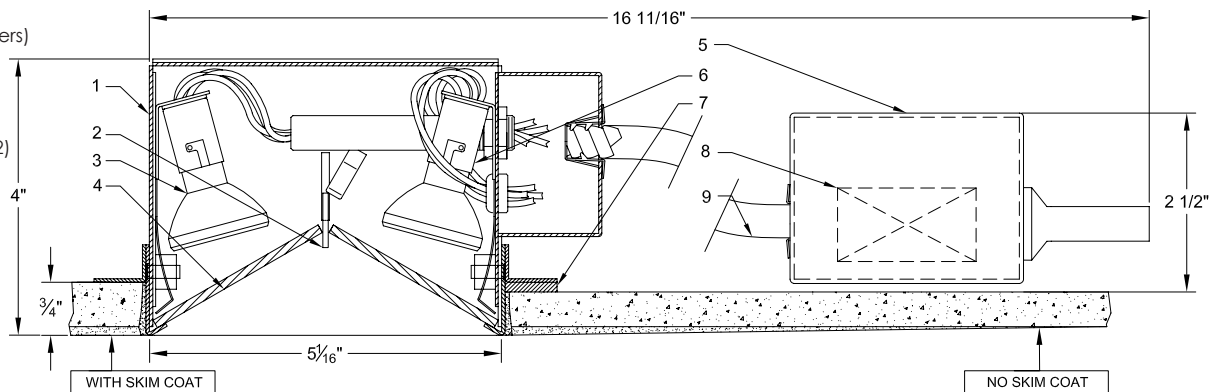
NOTES:

1. Housing
2. Lens support
3. 20W 12V ALR12 lamp (by others)
4. Solite lens 1/8"
5. Transformer box
6. Lampholder- bayonet base
7. Spacer (by others)
8. 75W Electronic Transformer (2)
9. 5" Flexible conduit

FEATURES:

- Dual cross-aiming wallwasher with 5-1\16" overall aperture
- Available in 4-lamp Bi-Directional and 2-lamp Half Bi-Directional modules
- 20W 12V ALR 12 lamp, 2-lamp or 4-lamp versions
- Integral electronic transformer (120/12V) suitable for AFCI breakers or remote transformer option (12V, Q-Tran recommended)
- Solite lens
- Non-IC thermally protected luminaire

DUALUX for gypsum is NRTL (Nationally Recognized Testing Laboratory) certified for purposes of OSHA safety standards product-approval requirements.



ORDERING MATRIX: DUA-G- _ _ _ _

Application	Transformer	Fixture Finish	Aperture Lens	Additional Accessories
A Bi-Directional	E Electronic	W White	S Solite	N None
B Half Bi-Directional	AE AFCI Electronic	C Custom		O Other
	R Remote			UVC UV Lens Coating

Contact NULUX directly to specify custom products

03/01/13