

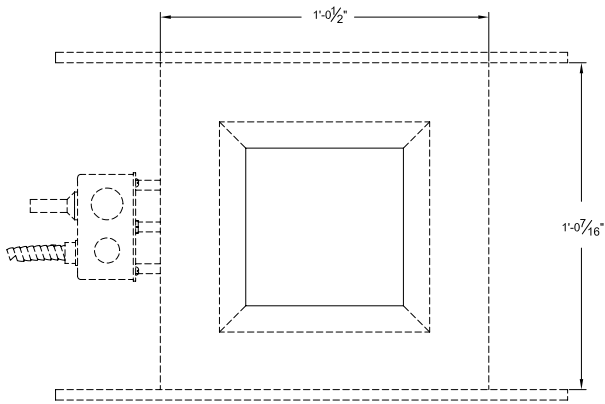
SQUARELUX 6

ADJUSTABLE ACCENT

FOR GYPSUM BOARD CEILINGS

SQUARELUX 6 appears as a 6" square illuminated glass surface coplanar with a gypsum board ceiling. No flange or trim is visible from below. A two-layer laminated glass with a step at the edge drops the lens surface to the ceiling line. An optional reveal in the glass outlines the floating lens. One 100W PAR38 lamp produces uniform illumination of the lens. There are several glass diffusion and pattern options. SQUARELUX 6 is designed for flangeless mounting in gypsum board ceilings.

REFLECTED PLAN VIEW



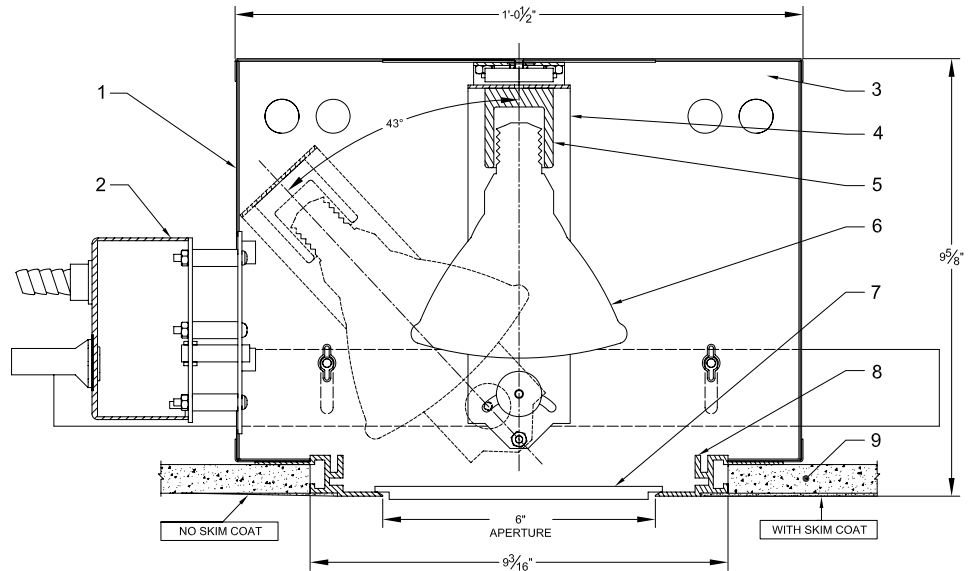
FEATURES:

- 6" x 6" square aperture
- Adjustable accent has full 360° rotation and 43° tilt
- Trimless gypsum board ceiling installation
- Exclusive two-ply glass lens
- Various two-ply lensing options available
- Non-IC thermally protected luminaire

SQUARELUX 6 is NRTL (Nationally Recognized Testing Laboratory) certified for purposes of OSHA safety standards product-approval requirements.

NOTES:

1. Housing
2. Field wiring compartment
3. Semi-gloss white interior
4. Arc slotted yoke allows 0-43° locakble tilt
5. Medium base socket
6. 120V PAR38 lamp, 100W Max (by others)
7. Two-ply glass lens
8. Extruded lens support
9. 5/8" gypsum board ceiling



ORDERING MATRIX: **SQ6-G-** _____

Application	Lamp	Voltage	Interior Finish	Aperture Lens	Additional Accessories
AA Adj Angle	100 100W Max PAR38	120 120V	WH White CU Custom	N None S Solite / Clear Pyrex SS Solite / Solite SL Solite / Light Etch FO Flashed Opal	N None UVC UV Coating O Other

Contact NULUX directly to specify custom products

05/09/13