



# SQUARELUX 6

## A-SHAPE LED DOWNLIGHT

FOR WOOD OR STONE CEILINGS

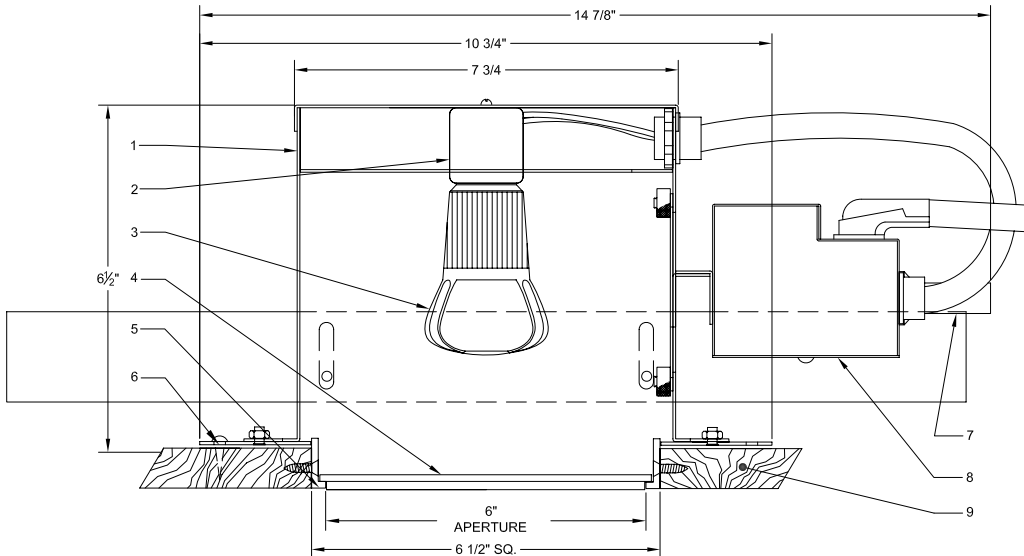
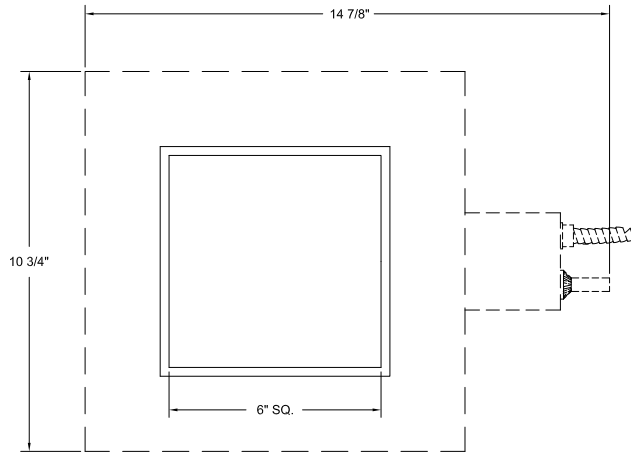
SQUARELUX 6 appears as a 6" square illuminated glass surface coplanar with a wood or stone ceiling. No flange or trim is visible from below. A two-layer laminated glass with a step at the edge drops the lens surface to the ceiling line. An optional reveal in the glass outlines the floating lens. One 12.5W A-shape lamp produces uniform illumination of the lens. There are several glass diffusion and pattern options. SQUARELUX 6 is designed for flangeless mounting in wood or stone ceilings.

### FEATURES:

- 6" x 6" square aperture
- Fixed downlight A19 lamp, 60W Max
- Individual lensing options at lamp
- Exclusive two ply glass lens
- For use with Philips EnduraLED 12.5W replacement lamp
- Non-IC thermally protected luminaire

SQUARELUX 6 is NRTL (Nationally Recognized Testing Laboratory) certified for purposes of OSHA safety standards product-approval requirements.

REFLECTED PLAN VIEW



### NOTES:

1. 20 GA steel housing
2. Porcelain medium base lampholder
3. 12.5W A-shape LED replacement lamp (by others)
4. Two-ply lens
5. Metal trim/painted finish
6. Optional mounting holes
7. Thermal protector
8. Wire connection box
9. 3/4" wood or stone ceiling

### ORDERING MATRIX: SQ6-W- - - -

| Application        | Lamp                          | Interior Finish  | Aperture Lens                 | Trim Finish                   | Additional Accessories |
|--------------------|-------------------------------|------------------|-------------------------------|-------------------------------|------------------------|
| <b>D</b> Downlight | <b>12.5</b> 12.5W A-shape LED | <b>WH</b> White  | <b>N</b> None                 | <b>P</b> Primed               | <b>N</b> None          |
|                    |                               | <b>CU</b> Custom | <b>S</b> Solite / Clear Pyrex | <b>C</b> Custom Color Painted | <b>UVC</b> UV Coating  |
|                    |                               |                  | <b>SS</b> Solite / Solite     | <b>O</b> Other                | <b>O</b> Other         |
|                    |                               |                  | <b>SL</b> Solite / Light Etch |                               |                        |
|                    |                               |                  | <b>FO</b> Flashed Opal        |                               |                        |

Contact NULUX directly to specify custom products

05/09/13